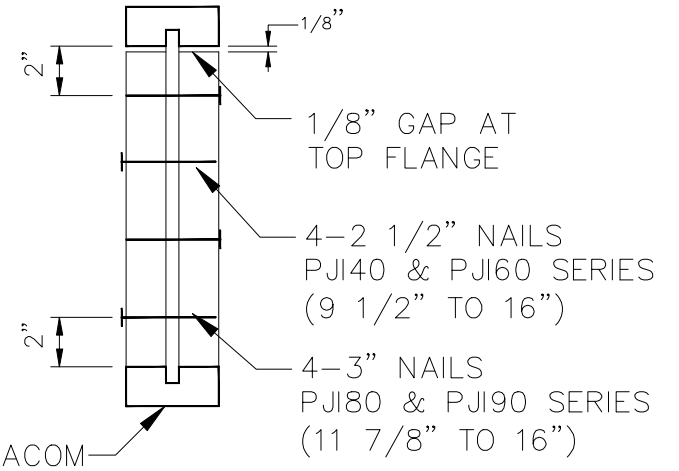
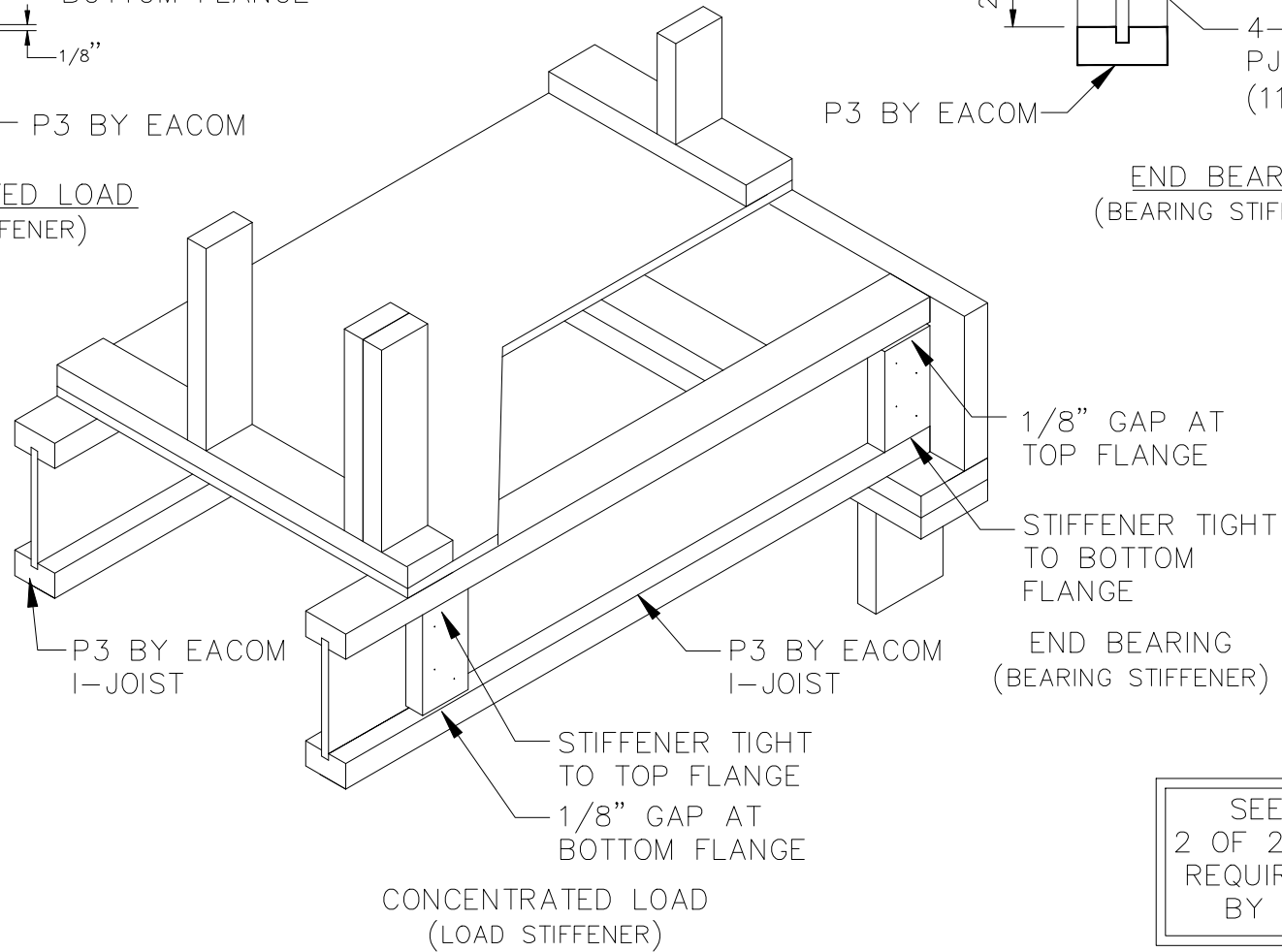


SEE TABLE ON 2 OF 2  
FOR WEB STIFFENER  
SIZE AND NAILING  
REQUIREMENTS FOR P3  
BY EACOM JOISTS



CONCENTRATED LOAD  
(LOAD STIFFENER)

END BEARING  
(BEARING STIFFENER)



SEE NOTES PAGE  
2 OF 2 FOR ADDITIONAL  
REQUIREMENTS FOR P3  
BY EACOM JOISTS

# WEB STIFFENER INSTALL DETAILS

# MINIMUM NAILING REQUIREMENTS FOR WEB STIFFENER

## STIFFENER SIZE AND NAILING REQUIREMENTS

JOIST DEPTH P3 BY EACOM	2 1/2" WIDE (PJI40 & PJI60) FLANGE 8d	3 1/2" WIDE (PJI80 & PJI90) FLANGE 10d
9 1/2"	4 NAILS 2 1/2"	N/A
11 7/8"	4 NAILS 2 1/2"	4 NAILS 3"
14"	4 NAILS 2 1/2"	4 NAILS 3"
16"	4 NAILS 2 1/2"	4 NAILS 3"
18"	N/A	6 NAILS 3"
20"	N/A	6 NAILS 3"
22"	N/A	8 NAILS 3"
24"	N/A	8 NAILS 3"
MINIMUM STIFFENER	1" x 2 5/16" WIDTH	1 1/2" x 2 5/16" WIDTH

1. WEB STIFFENERS ARE REQUIRED WITH P3 BY EACOM JOISTS:
  - WHEN SIDES OF JOIST HANGERS DO NOT LATERALLY BRACE THE TOP FLANGE OF EACH P3 JOIST.
  - WHEN P3 JOISTS ARE DESIGNED TO SUPPORT CONCENTRATED LOADS GREATER THAN 1580 LBS. THAT ARE APPLIED TO THE P3 JOISTS TOP FLANGE BETWEEN SUPPORTS, IN THESE APPLICATIONS ONLY, THE GAP BETWEEN THE WEB STIFFENER AND THE FLANGE SHALL BE AT THE BOTTOM (CONCENTRATED LOADS)
  - FOR ALL ENGINEERED APPLICATIONS WITH END REACTIONS GREATER THAN 1580 LBS. A DESIGN ANALYSIS MUST BE PERFORMED.
2. WHEN USED AT END BEARINGS, INSTALL WEB STIFFENERS TIGHTLY AGAINST THE BOTTOM FLANGE OF THE P3 JOIST. LEAVE A MINIMUM 1/8" GAP BETWEEN TOP OF THE WEB STIFFENERS AND THE BOTTOM OF THE TOP FLANGE (SEE INSTALL DETAILS PAGE 1 OF 2)
3. WEB STIFFENERS MAY BE SUPPLIED BY THE DISTRIBUTOR FOR FIELD INSTALLATION OR MAY BE CUT IN THE FIELD AS REQUIRED.