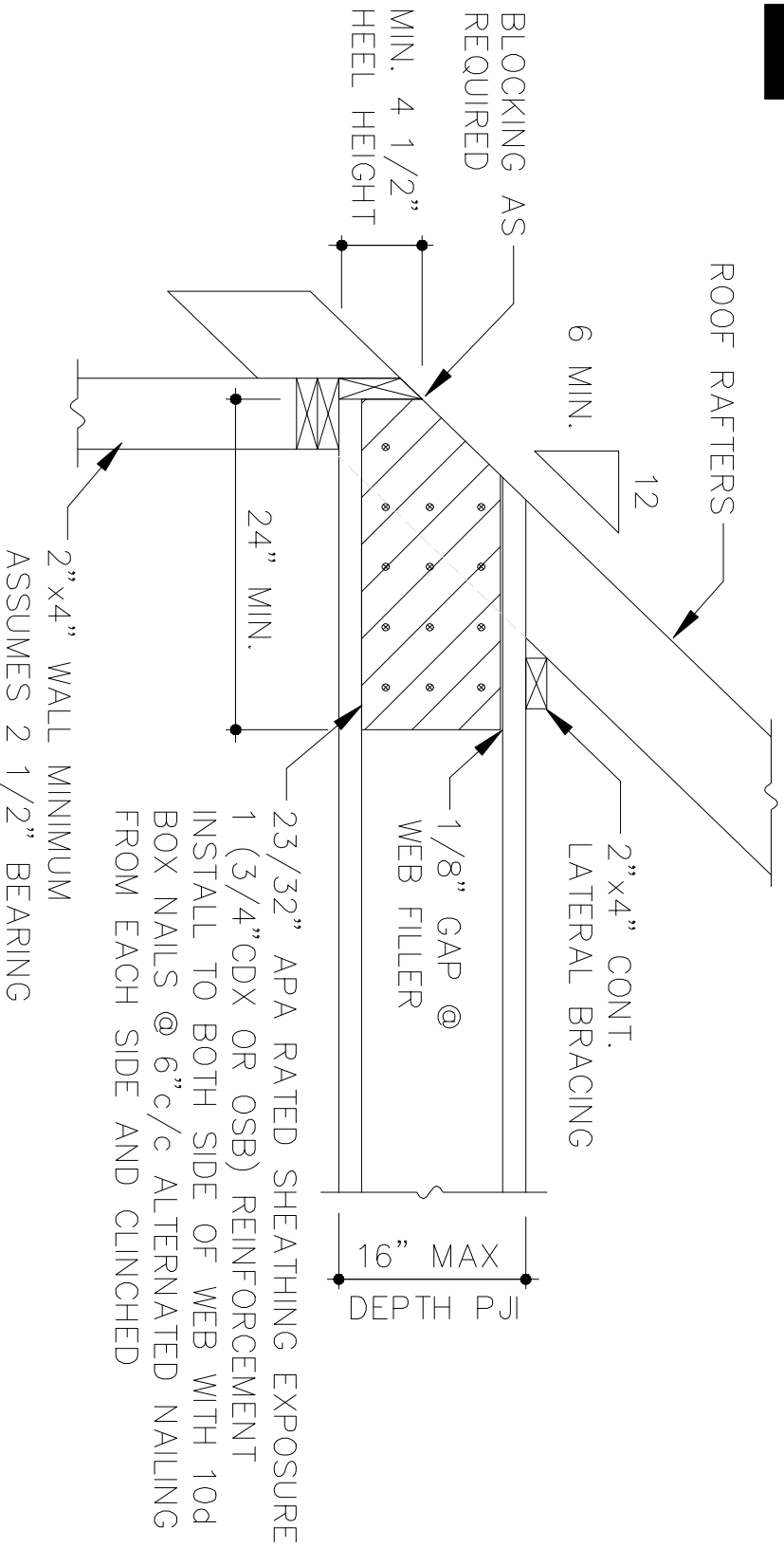


23/32" APA RATED SHEATHING EXPOSURE 1 (3/4" CDX OR OSB) REINFORCEMENT INSTALL TO BOTH SIDE OF WEB WITH 10d BOX NAILS @ 6" c/c ALTERNATED NAILING FROM EACH SIDE AND CLINCHED



23/32" APA RATED SHEATHING EXPOSURE 1 (3/4" CDX OR OSB) REINFORCEMENT INSTALL TO BOTH SIDE OF WEB WITH 10d BOX NAILS @ 6" c/c ALTERNATED NAILING FROM EACH SIDE AND CLINCHED

2"x4" WALL MINIMUM ASSUMES 2 1/2" BEARING

TAPER CUT JOIST REINFORCEMENT DETAIL