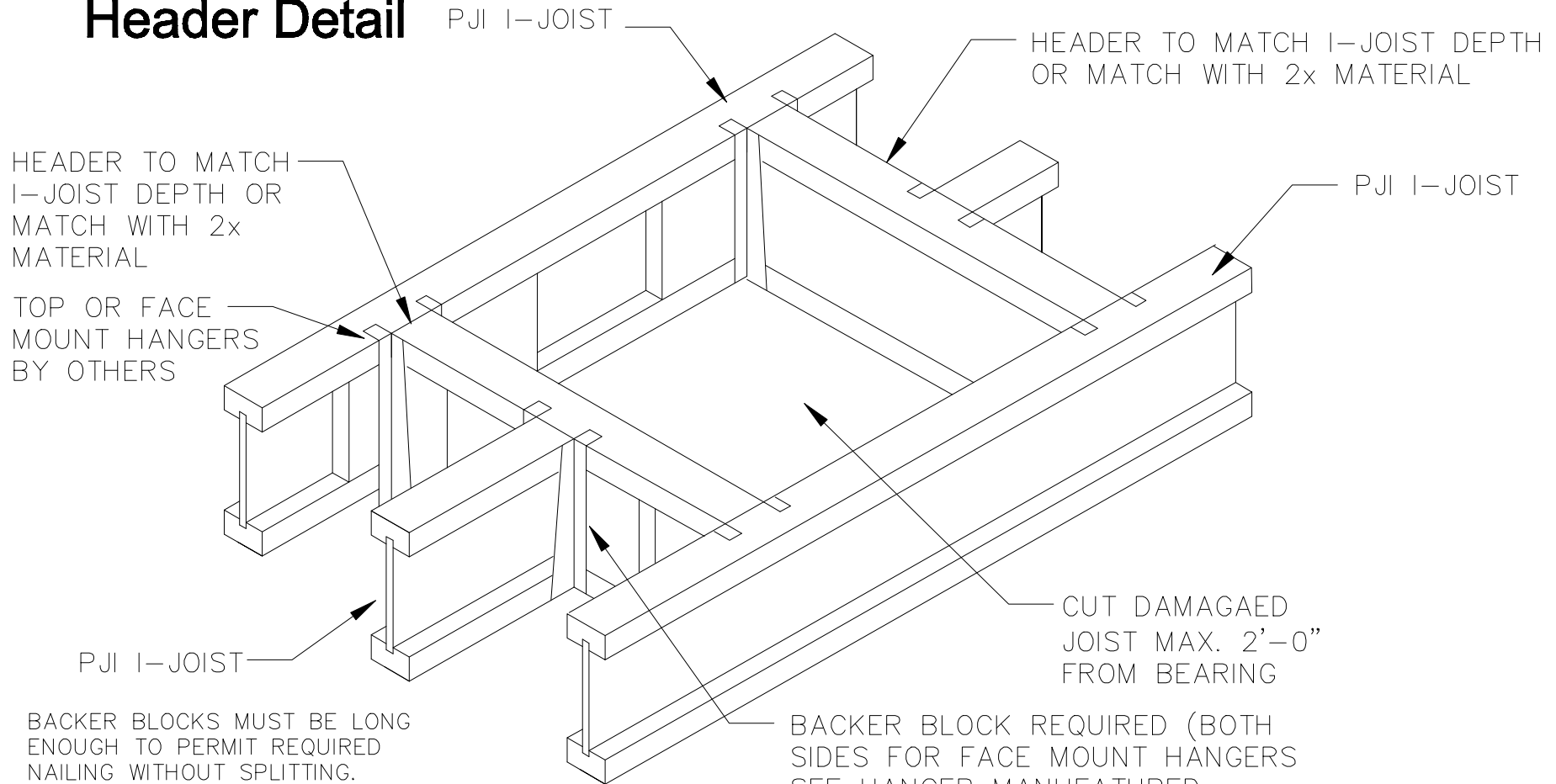


Header Detail



HEADER TO MATCH I-JOIST DEPTH OR MATCH WITH 2x MATERIAL

TOP OR FACE MOUNT HANGERS BY OTHERS

HEADER TO MATCH I-JOIST DEPTH OR MATCH WITH 2x MATERIAL

PJI I-JOIST

PJI I-JOIST

CUT DAMAGAED JOIST MAX. 2'-0" FROM BEARING

BACKER BLOCKS MUST BE LONG ENOUGH TO PERMIT REQUIRED NAILING WITHOUT SPLITTING.

BACKER BLOCK REQUIRED (BOTH SIDES FOR FACE MOUNT HANGERS SEE HANGER MANUFACTURED INSTALL DETAILS

SERIES	THICKNESS*	MIN. DEPTH**
PJI40 & PJI60	1"	5 1/2"
PJI80 & PJI90	1 1/2"	7 1/4"

*MIN GRADE BACKER BLOCK SHALL BE UTILITY GRADE SPF (SOUTH) OR BETTER FOR SOLID SAWN LUMBER AND SHALL BE RATED SHEATHING GRADE FOR WOOD STRUCTURAL PANELS.

**FOR FACE MOUNT HANGERS, USE NET JOIST DEPTH MINUS 1 1/4" FOR JOISTS WITH 1 1/2" THICK FLANGES

HANGER MUST SUPPORT TOP FLANGE OF JOIST, FILLER BLOCK REQUIRED IF HANGER IS NOT FULL DEPTH OF JOST

FOR HANGER CAPACITY SEE HANGER MAUNFACTURES RECOMMENDATIONS. VERIFY CAPACITY TO SUPPORT CONCENTRATED LOADS