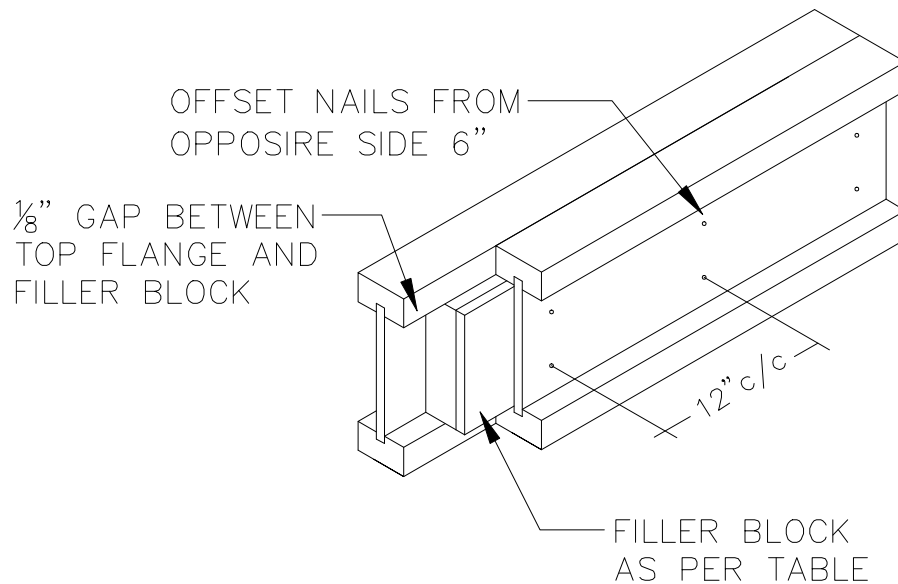


2p

DOUBLE PJI JOIST DETAIL



JOIST SERIES	DEPTH	FILLER BLOCK
PJI40/PJI60	9 1/2"	2 1/8" x 6"
	11 7/8"	2 1/8" x 8"
	14"	2 1/8" x 10"
	16"	2 1/8" x 12"
PJI80/PJI90	11 7/8"	3" x 8"
	14"	3" x 10"
	16"	3" x 12"
	18"	3" x 14"
	20"	3" x 16"
	22"	3" x 18"
	24"	3" x 20"

NOTES:

1. SUPPORT BACK OF PJI I-JOISTS WEB DURING NAILING TO PREVENT DAMAGE TO WEB/FLANGE CONNECTION.
2. LEAVE 1/8" GAP BETWEEN TOP OF FILLER BLOCK AND TOP FLANGE OF I-JOIST.
3. FILLER BLOCK IS REQUIRED BETWEEN JOISTS FOR FULL LENGTH OF SPAN.
4. NAIL JOISTS TOGETHER WITH 2 ROWS OF 3" NAILS @ 12" c/c ON EACH SIDE (CLINCH WHEN POSSIBLE).
5. TOTAL OF 4 NAILS PER/FT REQUIRED, IF NAILS CAN BE CLINCHED ONLY 2 NAILS PER/FT REQUIRED.
6. THE MAXIMUM LOAD THAT MAY BE APPLIED TO ONE SIDE OF THE DOUBLE JOIST USING THIS DETAIL IS 860 LBS./FT.