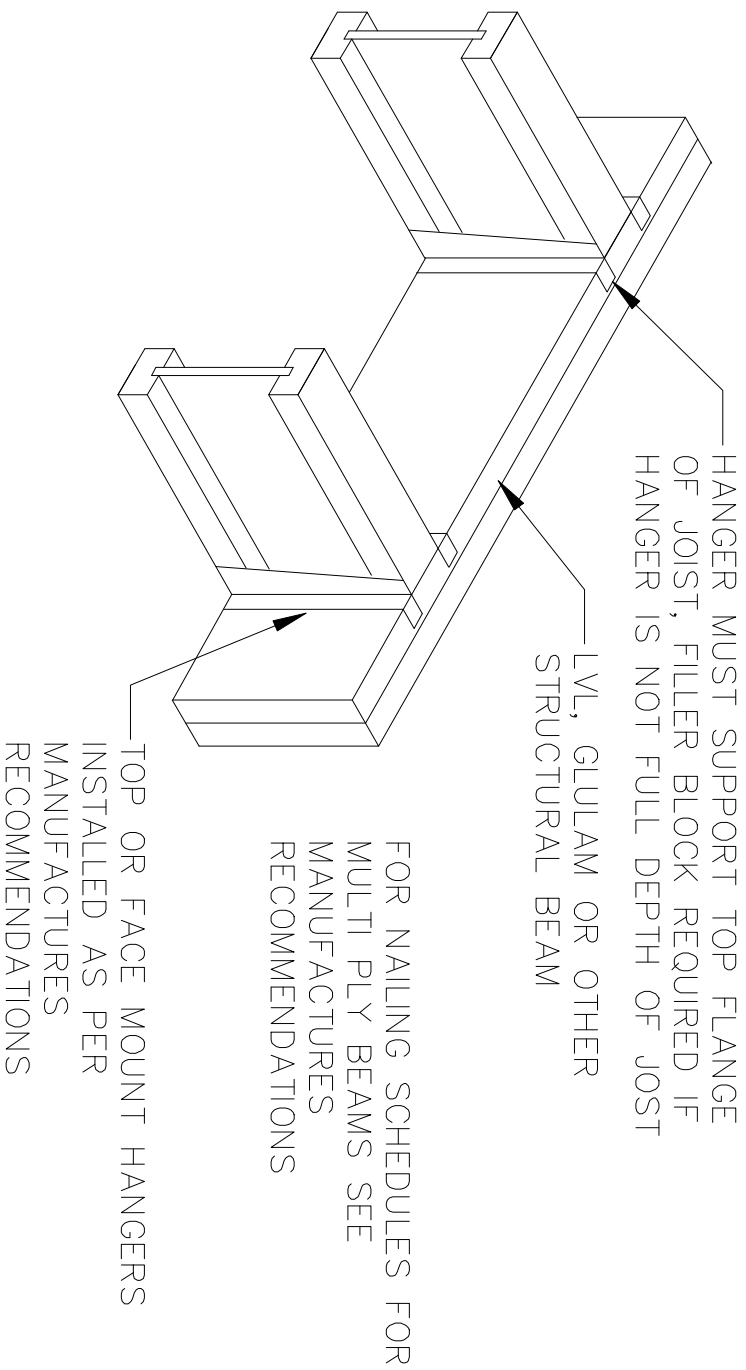


2j

P/J1 TO FLUSH BEAM DETAIL



ALL NAILS SHOWN IN THESE DETAILS TO BE COMMON NAILS UNLESS OTHERWISE NOTED. 10d BOX NAILS MAY BE SUBSTITUTED FOR 8d COMMON NAILS