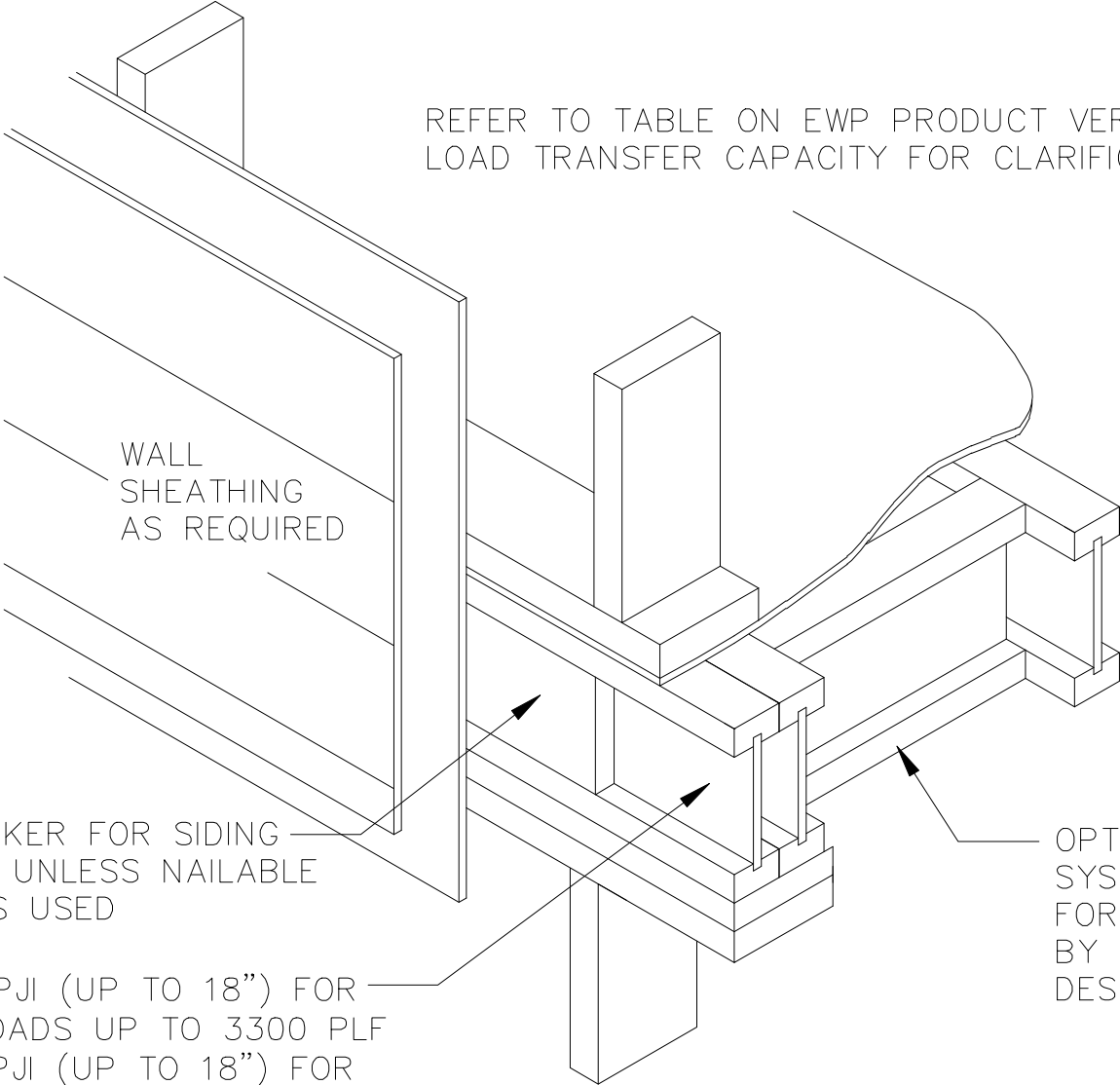


2f

REFER TO TABLE ON EWP PRODUCT VERTICAL  
LOAD TRANSFER CAPACITY FOR CLARIFICATION



WALL  
SHEATHING  
AS REQUIRED

PROVIDE BACKER FOR SIDING  
ATTACHMENT UNLESS NAILABLE  
SHEATHING IS USED

USE SINGLE PJI (UP TO 18") FOR  
FACTORED LOADS UP TO 3300 PLF  
OR DOUBLE PJI (UP TO 18") FOR  
LOADS UP TO 6600 PLF (FILLER  
BLOCK NOT REQUIRED)  
ATTACH P3 JOIST TO TOP PLATE  
USING 2 1/2" NAILS @ 6" c/c

OPTIONAL  
SYSTEM LATERL BRACING  
FOR WIND AS SPECIFIED  
BY THE BUILDING  
DESIGNER

APA RIM BOARD MAY BE USED IN LIEU OF PJI  
BACKER NOT REQUIRED WHEN APA RIM BOARD IS USED