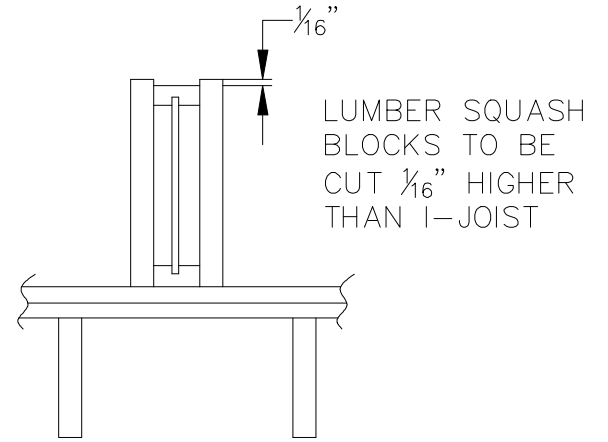
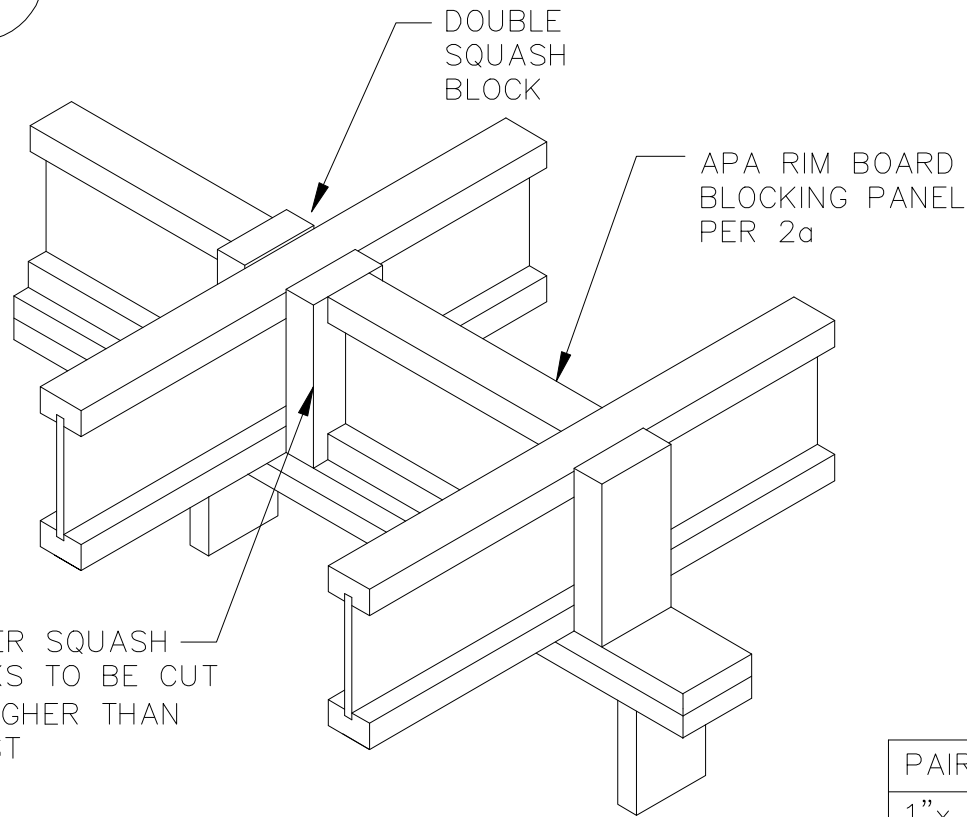


2d



LUMBER SQUASH BLOCKS TO BE CUT $\frac{1}{16}$ " HIGHER THAN I-JOIST

| PAIR OF SQUASH BLOCK | (lb) |
|--------------------------|------|
| 1" x 3 1/2" APA RIM* | 4000 |
| 1" x 5 1/2" APA RIM* | 5800 |
| 1 1/8" x 3 1/2" APA RIM* | 4500 |
| 1 1/8" x 5 1/2" APA RIM* | 5800 |
| 2-2x4 | 5800 |
| 2-2x6 | 9500 |

PROVIDE LATER BRACING AS PER DETAIL 2a, 2b & 2c