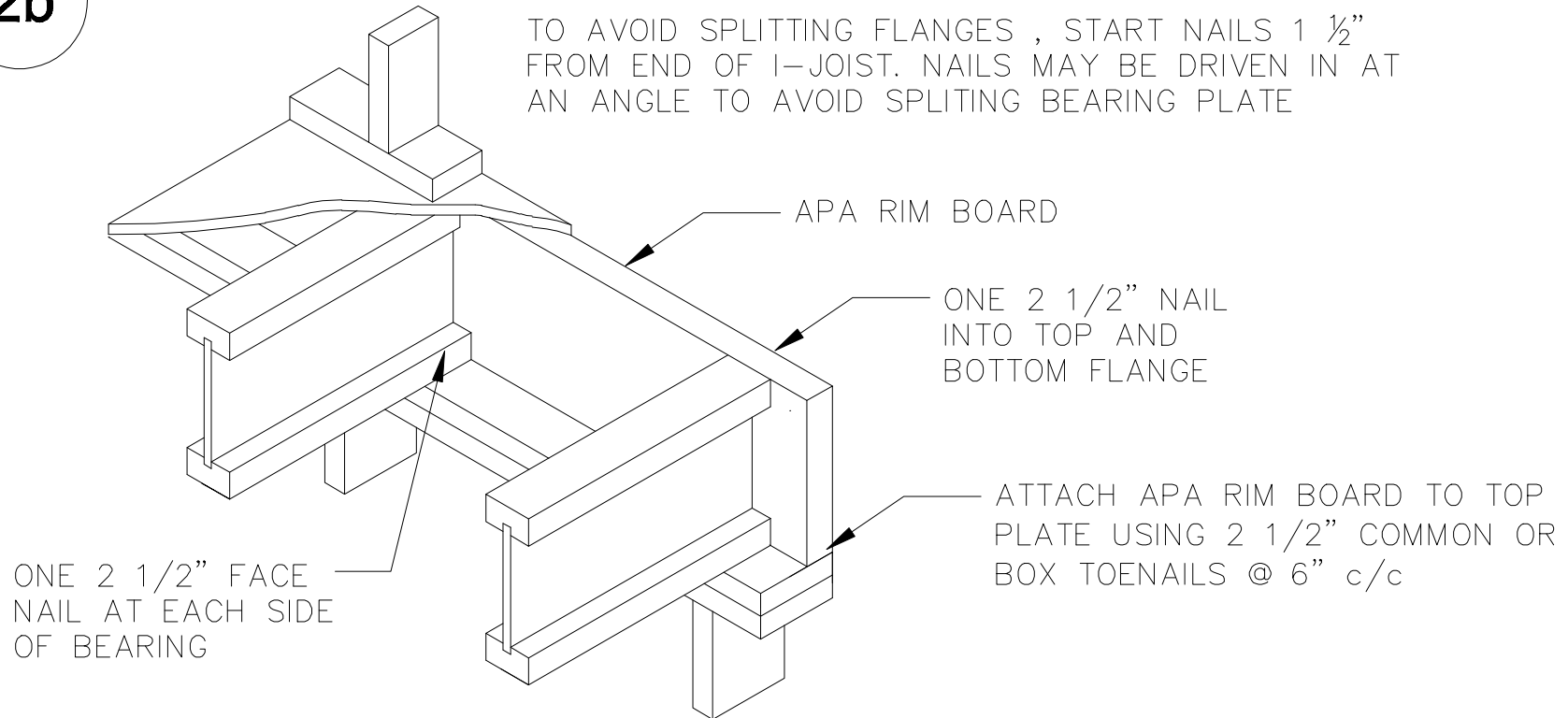


2b



RIM JOIST OR BLOCKING PANEL	MAX. FACTORED UNIFORM VERTICAL LOAD* (PLF)
1 1/8" APA RIM BOARD PLUS	8090
1 1/8" APA RIM BOARD	7340
1" APA RIM BOARD	5500
PJI JOIST (9 1/2" TO 18")	3300

*THE UNIFORM VERTICAL LOAD IS LIMITED TO A RIM BOARD DEPTH OF 16" OR LESS BASED ON STANDARD TERM LOADING DURATION. IT SHALL NOT BE USED IN THE DESIGN OF A BENDING MEMBER SUCH AS A JOIST, HEADER OR RAFTER. FOR CONCENTRATED VERTICAL LOAD TRANSFER CAPACITY SEE 2d