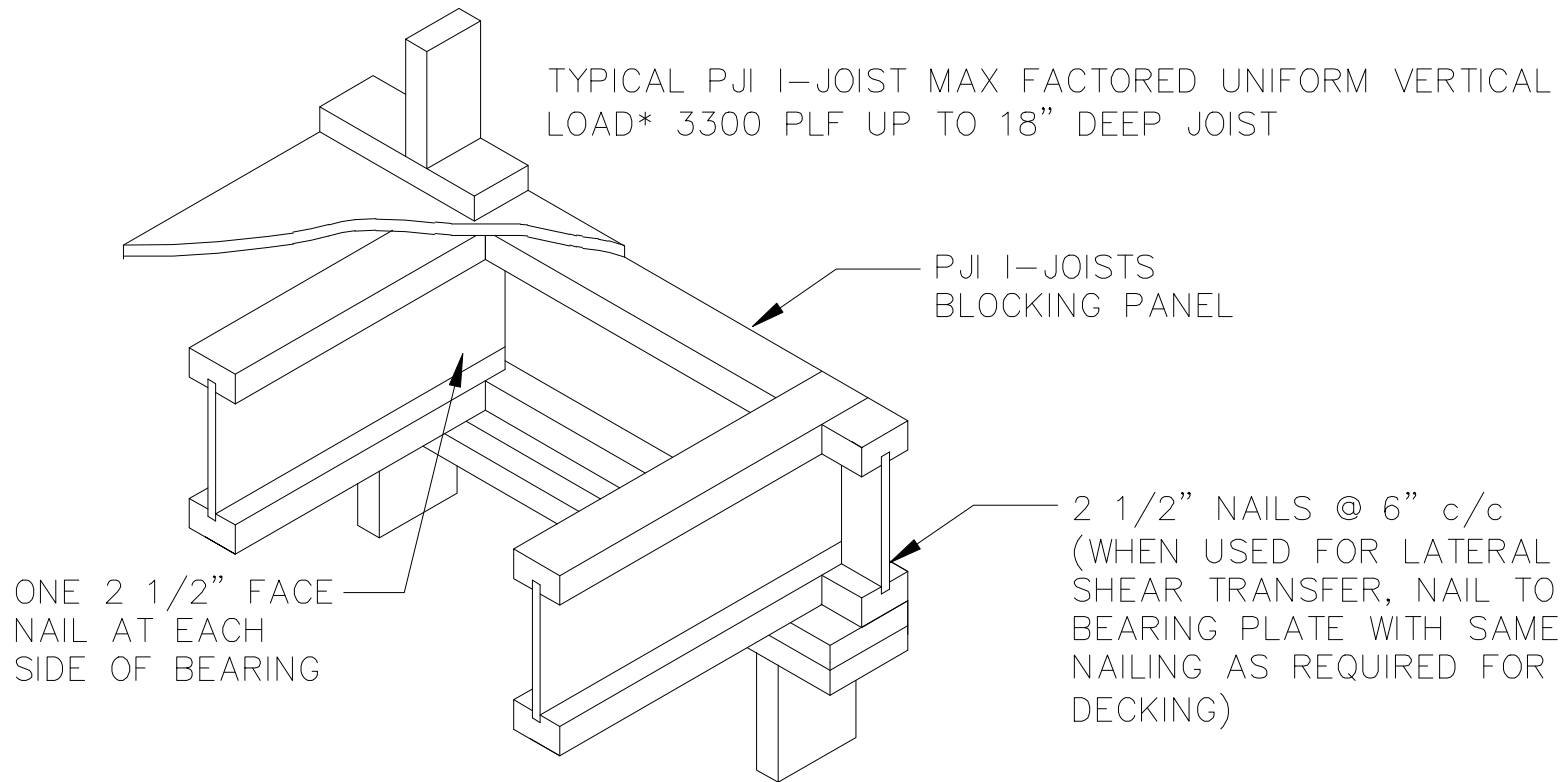


2a

*THE UNIFORM VERTICAL LOAD IS LIMITED TO A JOIST DEPTH OF 18" OR LESS BASED ON STANDARD TERM LOADING DURATION. IT SHALL NOT BE USED IN THE DESIGN OF A BENDING MEMBER SUCH AS A JOIST, HEADER OR RAFTER. FOR CONCENTRATED VERTICAL LOAD TRANSFER CAPACITY SEE 2d



TO AVOID SPLITTING FLANGES , START NAILS 1 1/2" FROM END OF I-JOIST. NAILS MAY BE DRIVEN IN AT AN ANGLE TO AVOID SPLITTING BEARING PLATE